

# AniView3000 communication and connection

## 1 Introduction to AniView3000 control system

### 1.1 System configuration

AniView3000 LED display control system consists of:

- A. Main control panel: **DS06ADC** (AniView3000), directly control the program display and management of LED display screen.
- B. **LedCenter**: supporting software of LED control system. **LedCenter** connects with the main control panel through computer serial ports usually.
- C. Other supporting accessories: directly connected to the main control panel and performs special functions, for example: optical probe, temperature probe and etc.

### 1.2 Main control panel

#### 【Main Interface】

- A. Power Interface: J3
- B. Communication interface: PJ1 / J8
- C. Communication setting jumper:
  - JP1、JP2、JP3: Choose connection mode (RS232 or RS485).
  - J1: Terminal resistor of RS485.
- D. Interface to Screen: OUT1
- E. Other functions: J2(Temperature sensor)、JP4(Light sensor etc.,)

#### 【Indicator Lights】

- A. Indicator Light for Running: D3, D4

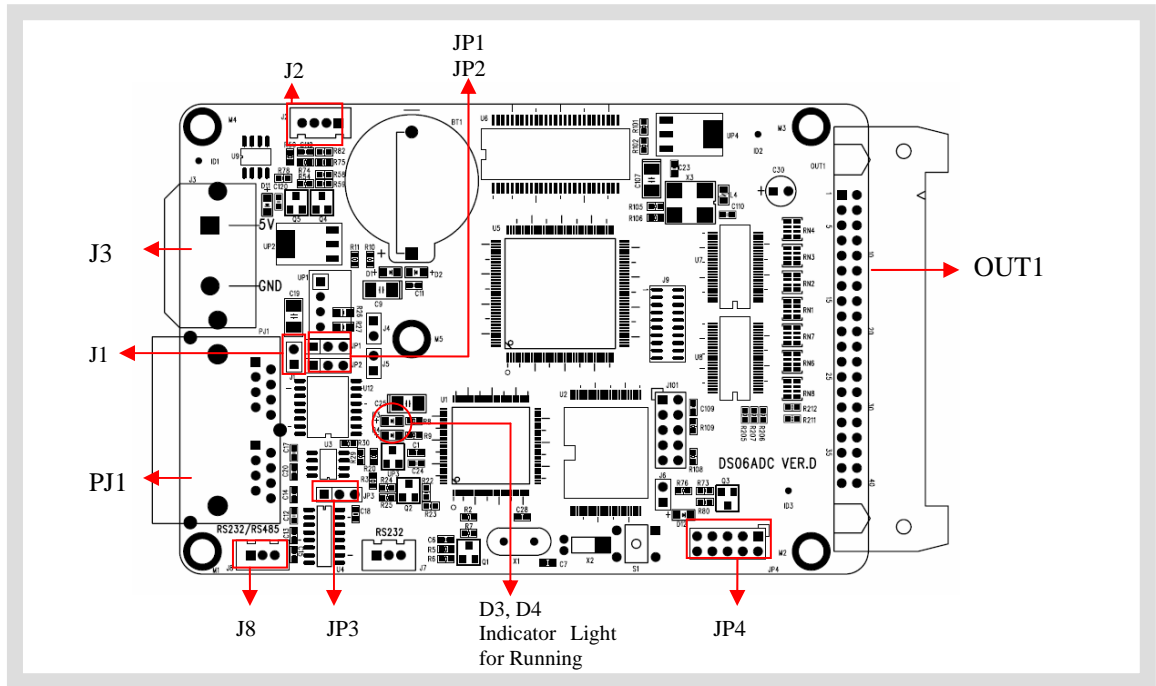


Figure1 Sketch map (DS06ADC VER. D)

### 1.2.1 Communication setting

AniView3000 system communication connection supports RS232 or RS485 modes.

- COM port mode

**RS232:** With RS232 mode, the computer COM port connects to main control panel directly. LedCenterM simultaneously manages and controls only one LED display through one computer serial port.

**RS485:** With RS485 mode, the computer COM port connects to main control panel through the RS232 ↔ RS485 converter. The main control panel can be cascaded with 485 BUS, and LedCenterM can simultaneously manage and control up to 255 LED displays through one computer serial port.

- COM port mode Setup

#### 1. **RS232 or RS485:**

When **all** of JP1/JP2/JP3 short connect PIN2 and PIN3, the **RS232** mode will be chosen.

When **all** of JP1/JP2/JP3 short connect PIN1 and PIN2, the **RS485** mode will be chosen.

As shown in Figure 2.

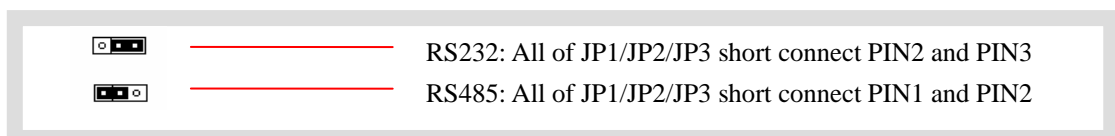


Figure2 RS232 mode or RS485 mode selection

#### 2. **Terminal resistor for RS485:**

In RS485 mode, if necessary, the last control panel needs to connect terminal resistor, short connect J1 of the last control panel.

## 1.2.2 Communication connections

You can connect with AniView3000 via J8 or PJ1

### 1. J8: 3 pins interface (DS06ADC VER.D or higher version)

	Signal name of panel	J8 pin number	COM port of PC (DB9 interface)
1	TX	1	2
2	RX	2	3
3	GND	3	5

Table1 RS232 mode via J8

	Signal name of panel	J8 pin number	485 signal name
1	D+	1	D+
2	D-	2	D-
3	GND	3	GND

Table2 RS485 mode via J8

### 2. PJ1: RJ45 interface

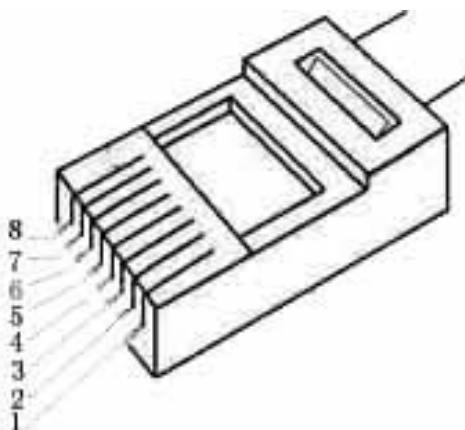


Figure3 Pin order of RJ45

	Signal name of panel	PJ1(RJ45) pin number	COM port of PC (DB9 interface)
1	TX	3	2
2	RX	6	3
3	GND	4, 5	5

Table3 RS232 mode via PJ1

	Signal name of panel	PJ1(RJ45) pin number	485 signal name
1	D+	3	D+
2	D-	6	D-
3	GND	4, 5	GND

Table4 RS485 mode via PJ1